

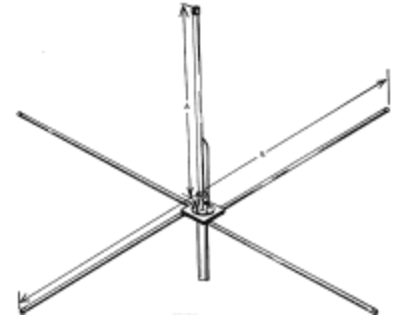


MOSLEY V-GP Series

The "HEAVY DUTY", V-GP Series

GROUND PLANE ANTENNAS FOR 25 TO 470 MHz

360° PATTERN



One of the most effective communication antennas ever developed. Mosley 360° Ground Plane Antennas are exceptionally effective in base station installations working with mobiles. Polarization is vertical and a low angle radiation is achieved through use of horizontal radials and a unique "modified gamma" feed system. VSWR is held to less than 1.5/1 at resonant frequency.

The radiating element is grounded, providing a static drain path to ground with consequent improvement in signal-to-noise ratio. This feature also gives a considerable degree of lightning protection to the system.

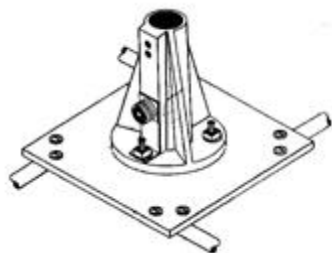
Power rating of each Mosley is established by the rating of the coax and fittings at the frequency involved. These antennas have a 50/52 ohm feed point impedance.

Mosley Ground Planes are 100% rust proof. Elements are made of 6063-T832 drawn aircraft grade tubing and the hardware stainless steel and other non-corrosive fasteners.

When ordering specify the frequency and power needed. Antennas are factory-cut to frequency.

HEAVY DUTY BASE MOUNT

Mosley Ground Plane Antennas feature a sturdy base mount especially designed to provide rigid, no-guyed support. Ribbed component is molded of "cyclocac" and incorporates a coax fitting pre-assembled to the unit. The base plate is 6061-T6 aluminum mounted on a cast aluminum base which u-bolts to mast pipe. Ground Plane radials bolt securely to the base plate.



Please [contact us](#) for more information regarding your antenna requirements.

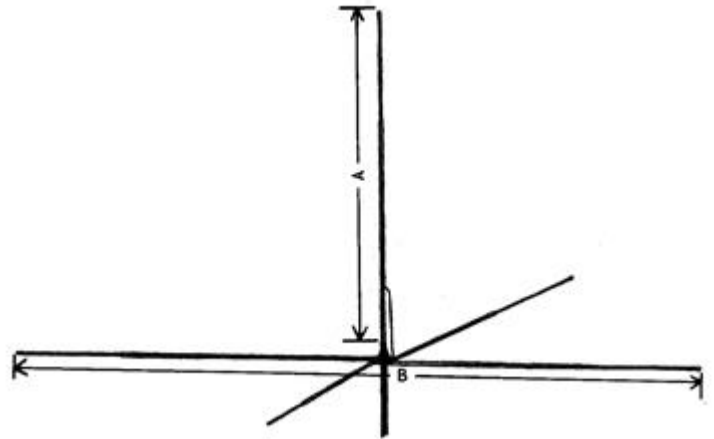


MOSLEY V-GP Series

The "HEAVY DUTY", V-GP Series

GROUND PLANE ANTENNAS FOR 25 TO 470 MHz

SPECIFICATIONS CHART



Model No.	Frequency Range	Maximum VSWR	A*	B**	Maximum Safe Wind Pressure		Wind Load		Power with Standard Connector
					No Ice	1/2" Ice	No Ice	1/2" Ice	
V-25-GP	25-30 MHz	1.5	114	121	50	25	41	89	1500 watts
V-30-GP	30-35 MHz	1.5	95	101	60	30	35	74	1500 watts
V-35-GP	35-44 MHz	1.5	81.5	86	70	33	28	63	1500 watts
V-44-GP	44-50 MHz	1.5	63.3	67	90	40	24	50	1500 watts
V-148-GP	148-152 MHz	1.5	19.3	20.3	120	60	9	17	700 watts
V-152-GP	152-168 MHz	1.5	18.7	19.5	120	60	9	16	650 watts
V-168-GP	168-174 MHz	1.5	16.9	17.8	120	60	8	15	600 watts
V-225-GP	225-424 MHz	1.5	12.6	13.4	125	60	7	12	550 watts
V-425-GP	425-470 MHz	1.5	6.3	6.7	125	60	5	7	300 watts

*Maximum vertical element dimension (lowest frequency) in inches.

**Maximum ground plane element dimension (lowest frequency) in inches.

Wind load at 20 pounds per square foot is equal to thrust at mounting. Maximum safe pressure is an indication of velocity rating. See engineering data section for equivalent wind velocities and interpretation of data, EIA standard TR-116.

Please [contact us](#) for more information regarding your antenna requirements.

